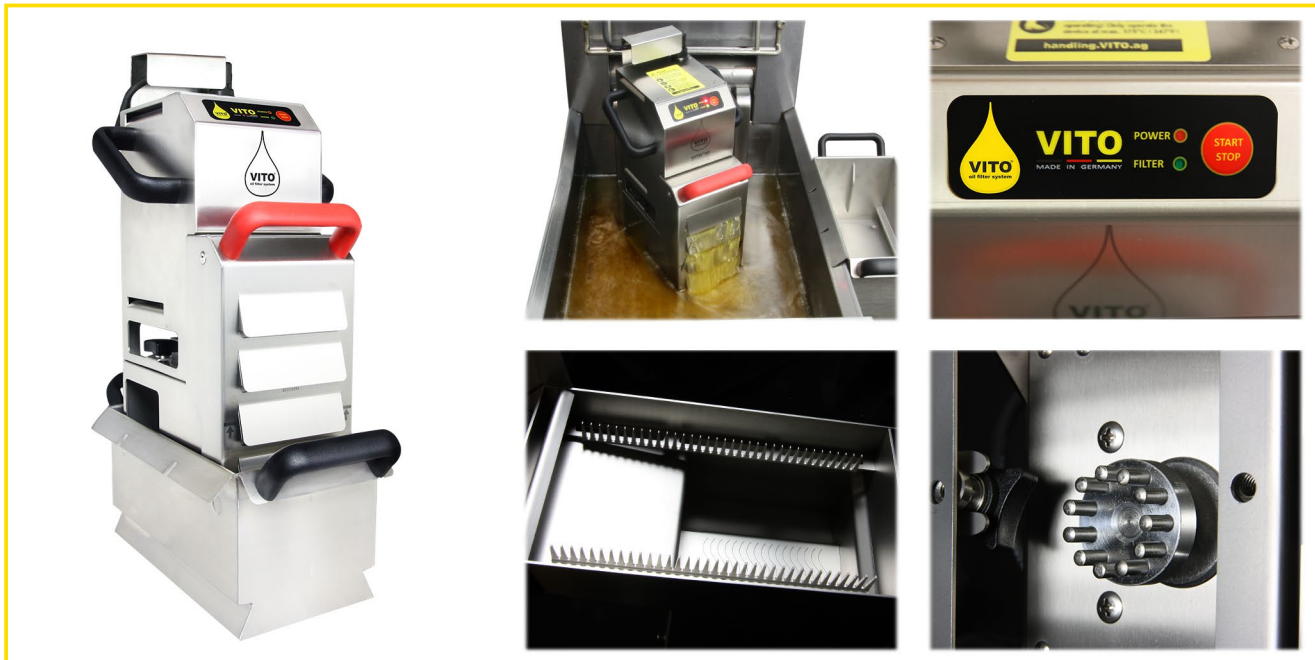


# VITO 50

## Spec-Sheet



### VITO 50 - The world's best in-tank pressure oil filtration system!

VITO 50 is suitable for all fryers up 20l (37 lbs).

#### Functionality:

VITO 50 cleans the oil and provides an easy and hygienic filtration in the kitchen. Like every VITO oil filter system the VITO 50 provides a microfiltration up to 5 µm (0,2 µin). As an additional feature no chemicals are needed to clean the oil, which preserves the optimal taste of the fried dishes. The unique design makes sure the VITO can handle temperatures up to 175°C (347°F) and provides highest safety at work, because of avoiding direct contact with the hot oil. After filtration the oil can be immediately used for frying again.

#### The VITO 50 saves oil, labour, stock ground and transport costs.

##### Big savings:

- less oil consumption
- less personnel costs
- less transport costs
- less storage costs
- fast amortization

##### Constant quality:

- ... of your frying medium
- ... of your fried dishes

##### Easy handling:

- automatic filtration
- fast pressure filtration
- low cleaning effort

To optimize the benefit of the VITO 50 combine it with the VITO oiltester or the FT440.

VITO oiltester example:



FT 440 example:



VITO - seen in 150 countries - used in over 40.000 kitchens



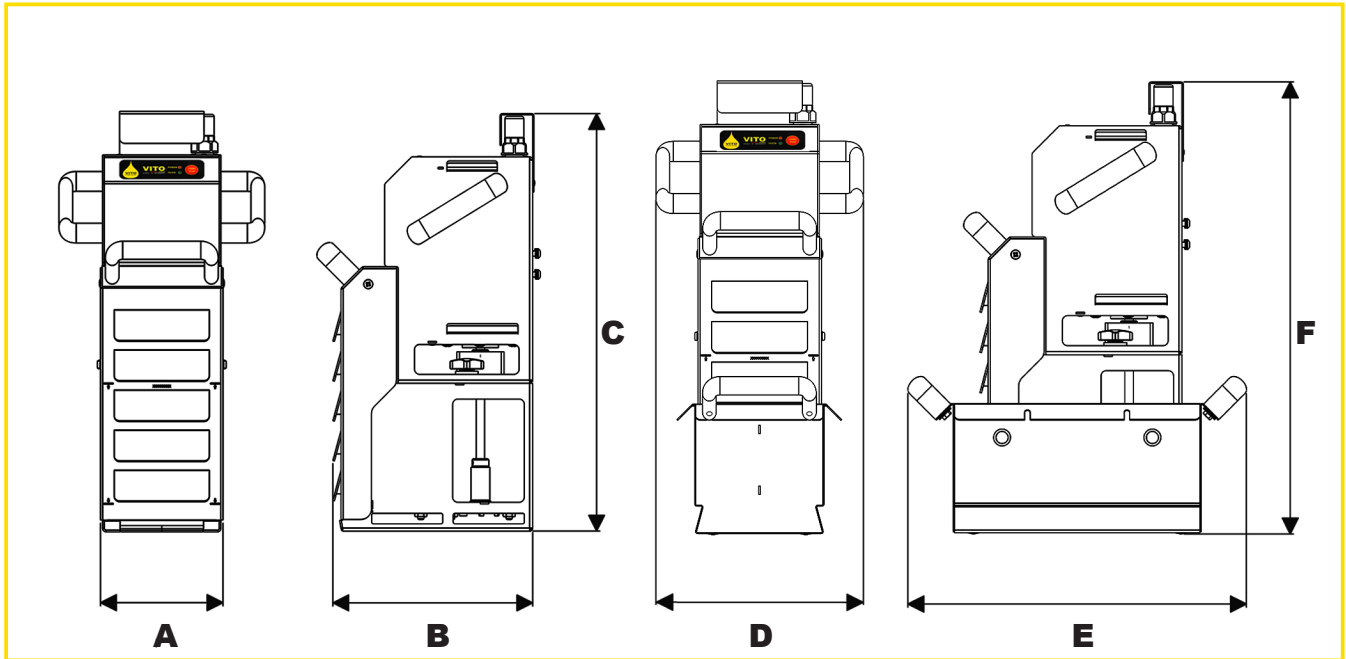
**VITO AG**

T: +49 7461 96289-0  
M: +49 7461 96289 -12

info@vito.ag  
www.vito.ag

# VITO 50

## Spec-Sheet



### VITO 50 technical data:

	Width A	Depth B	Height C		Width D	Depth E	Height F	
<b>without drip pan</b>	116 mm 4.6 in	191 mm 7.5 in	398 mm 15.7 in	<b>with drip pan</b>	195 mm 7.7 in	320 mm 12.6 in	426 mm 16.8 in	
<b>Filtration power</b>	<b>Filtration efficiency</b>	<b>Particle uptake</b>	<b>Work cycle</b>	<b>Suction depth</b>	<b>Weight</b>	<b>Temperature</b>	<b>Material VITO</b>	<b>Particle filter</b>
up to 50 l/min 110 lbs/min	up to 5 µm 0.2 µinch	1,3 kg 2.9 lbs	4,5 min	~ 35 cm ~ 13.8 in	7,7 kg 17 lbs	max. 175°C max. 347°F	Stainless steel 1.4301	Cellulose FDA-CFR 21
<b>Maximum Power</b>	<b>Power connection</b>							
300 W	220-240 V (100-120 V) 50-60 Hz							

### Additional features:

- The VITO 50 can operate in deep fryers at service temperature

VITO - seen in 150 countries - used in over 40.000 kitchens



**VITO AG**

T: +49 7461 96289-0  
M: +49 7461 96289 -12

info@vito.ag  
www.vito.ag